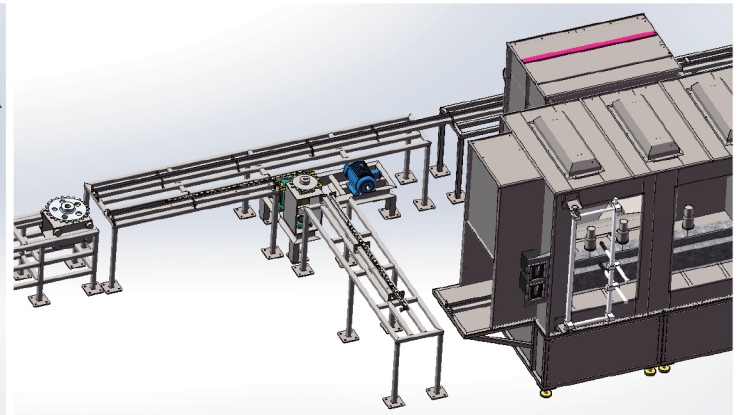
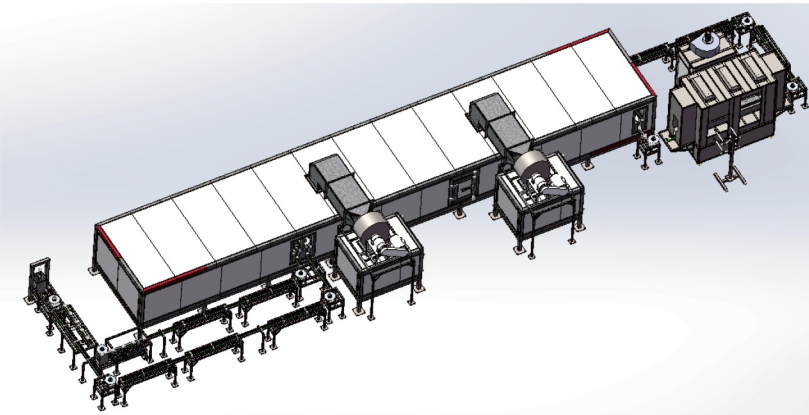
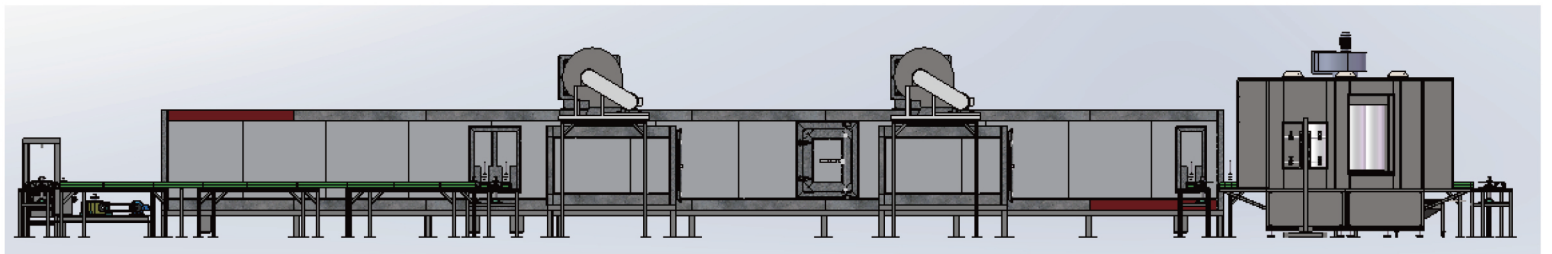
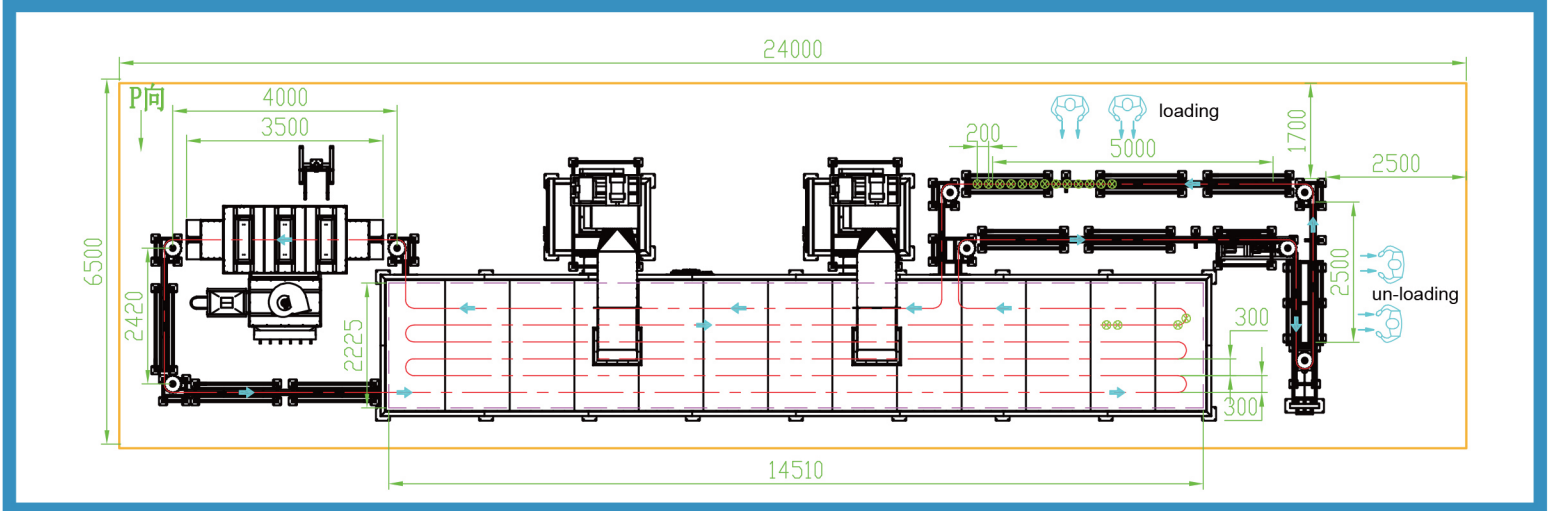


Ground rail automatic powder coating line for thermal cup

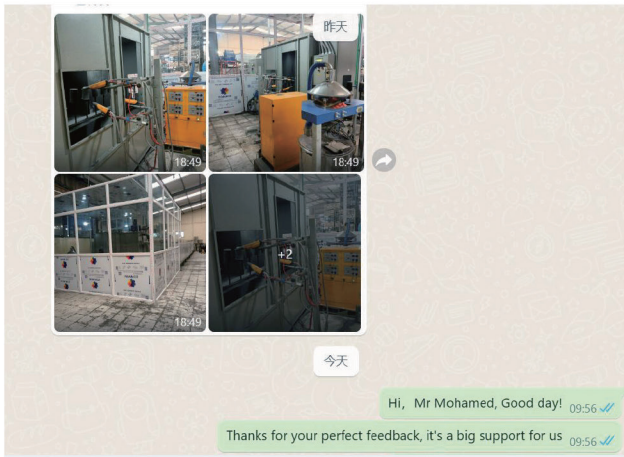
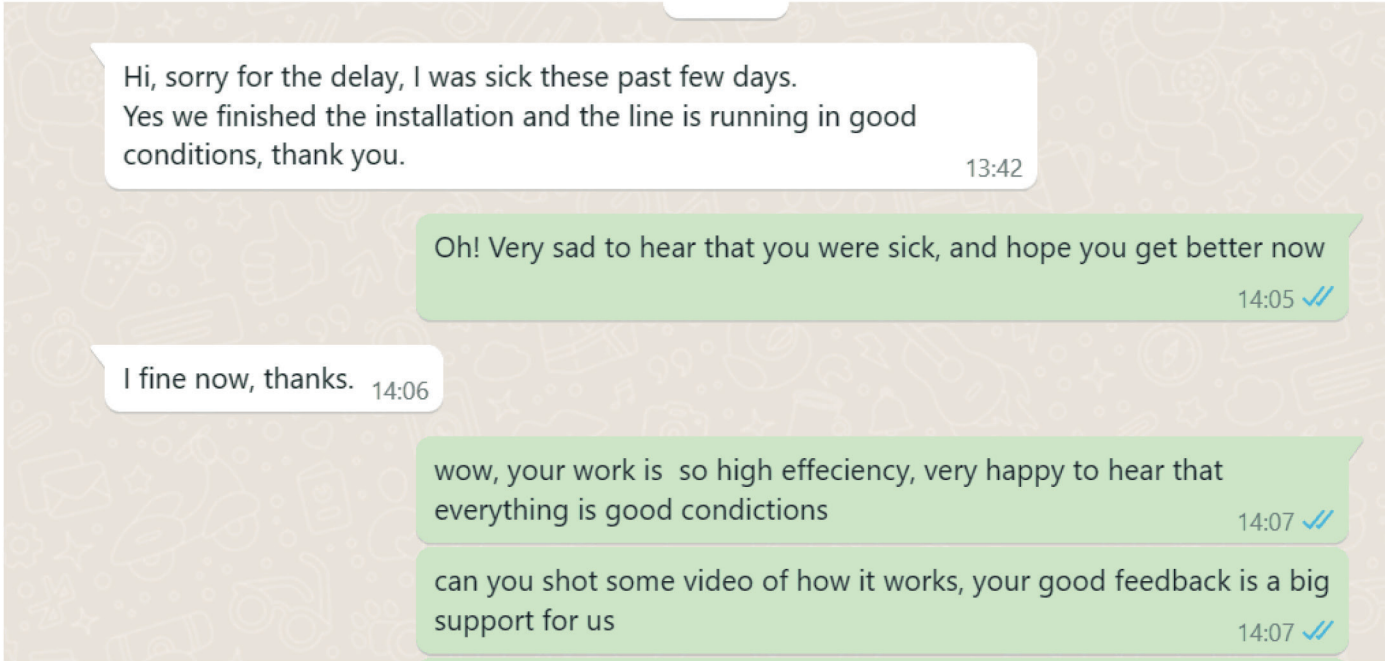


Underground Rail Automatic Powder Coating Line

Suitable for Factory Space

Size more than: L24000*W6500*H4850mm

For workpiece----Cup type



Customer provided photos



